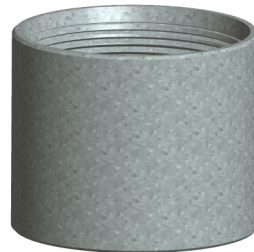
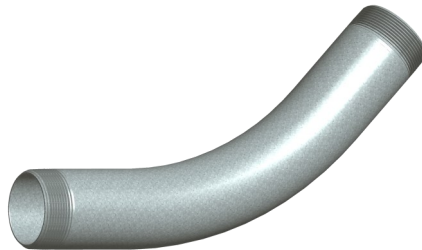


CONDUIT

pipe products, co.



THE PHOENIX FORGE GROUP
Commanding a Higher Standard SM



CONDUIT

pipe products, co.

A Member of The Phoenix Forge Group
1501 West Main Street
West Jefferson, OH 43162



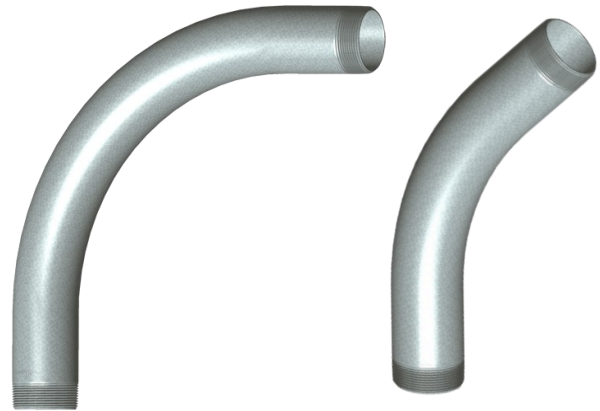
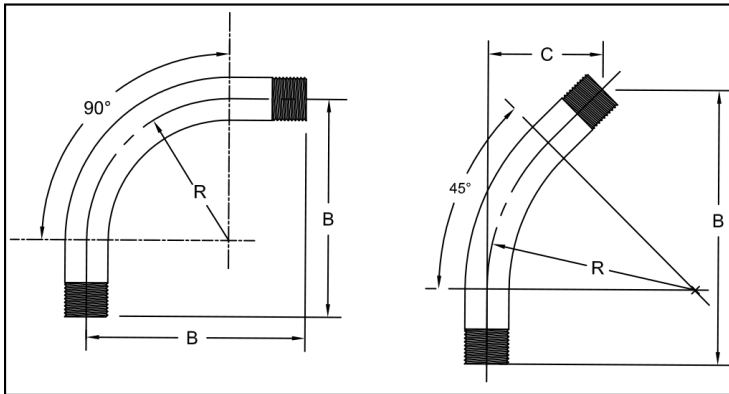
PRODUCT CATALOG

CONDUIT FITTINGS

Conduit Elbows Rigid	3
Conduit Elbows EMT	4
Yard Lights	5
Conduit Couplings	6
Conduit Nipples	7
Running Threads	8

Rev 0220

Rigid Conduit Elbows 90° and 45°



Standard Radius				
Size	Radius R	90° B Dim.	45° B Dim.	45° C Dim.
1/2	4	6-3/16	7-13/16	3-1/4
3/4	4-1/2	6-3/4	8-11/16	3-5/8
1	5-3/4	8-5/8	9-3/16	3-13/16
1-1/4	7-1/4	10-1/16	10-11/16	4-7/16
1-1/2	8-1/4	11-9/16	11-13/16	4-7/8
2	9-1/2	14-1/16	14-7/8	6-1/8
2-1/2	10-1/2	16	18-5/16	7-9/16
3	13	19-11/16	20-9/16	8-1/2
3-1/2	15	22-3/16	23-3/16	9-5/8
4	16	23-1/8	24-1/2	10-1/8
5	24	36-1/8	38-1/4	15-7/8
6	30	42-15/16	42	17-3/8

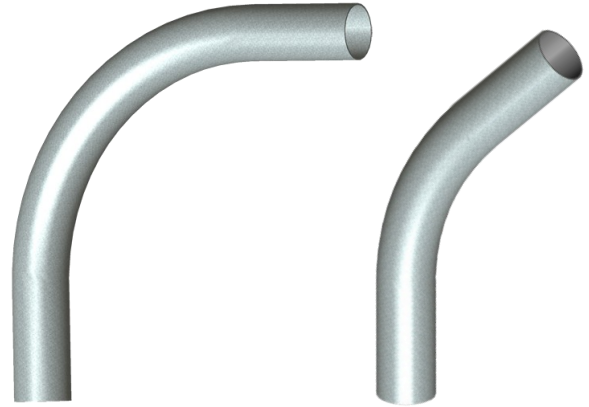
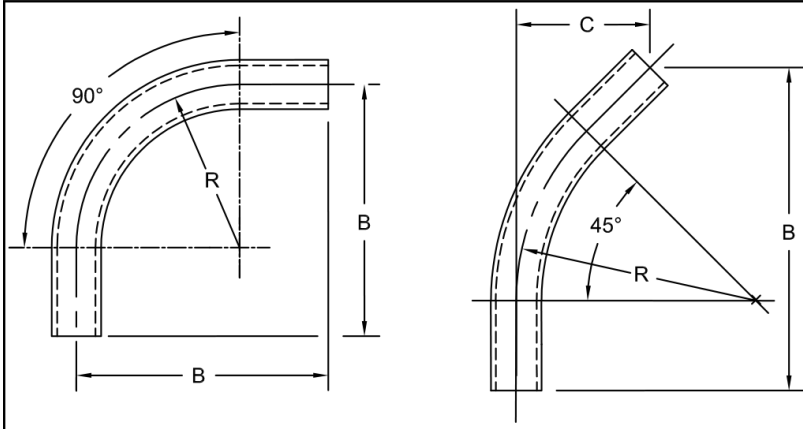
Special Radius				
Radius R	Sizes Available	90° B Dim.	45° B Dim.	45° C Dim.
12	1 thru 2-1/2	21	23-7/8	9-7/8
15	1 thru 3	24	26	10-3/4
18	1 thru 4	28	29-3/4	12-3/8
24	1 thru 4	35	35-3/4	14-13/16
30	1 thru 5	41	40	16-9/16
36	1 thru 6	47 *	44-1/4	18-5/16
42	1 thru 6	54	50-1/8	20-13/16
48	1 thru 6	60	54-3/8	22-9/16
60	1 thru 6	72	62-7/8	26-1/16

* 6" x 36" Radius x 90° Elbows have a B Dim. of 48"

Material: Galvanized Steel and Aluminum Elbows are listed cULus and meet requirements of both CSA and UL.
 Aluminum Elbows are made from 6063 alloy with a maximum Copper content of 0.1%.

Notes: Radius R is the minimum. Dimensions B and C are reference dimensions.
 11-1/4°, 15°, 22-1/2°, 30° and 60° Elbows are also available.
 Both ends NPT threads conform to ANSI B1.20.1.
 Larger than 60" Radius Segmented Special Radius Elbows available in Galvanized Steel, please specify Pipe Size X Radius X Bend Angle when contacting our Sales Department.

EMT Elbows 90° and 45°



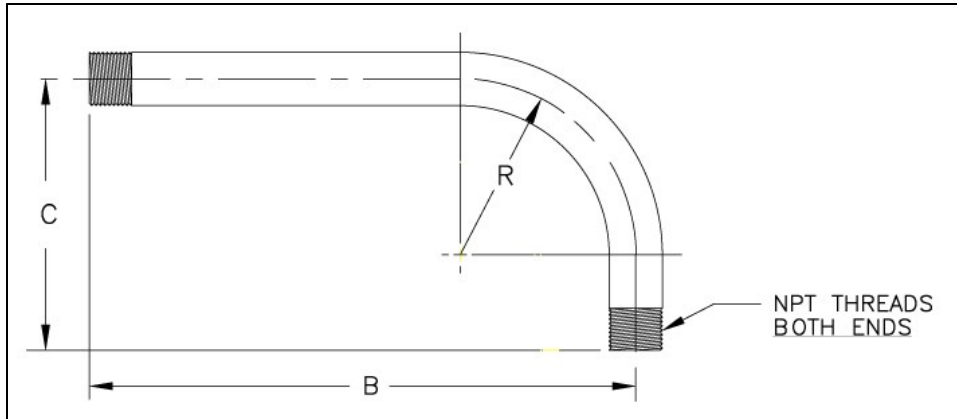
Standard Radius				
Size	Radius R	90° B Dim.	45° B Dim.	45° C Dim.
1/2	4	6-3/16	7	2-7/8
3/4	4-1/2	6-11/16	7-7/8	3-1/4
1	5-3/4	8-9/16	8-15/16	3-11/16
1-1/4	7-1/4	10	9-11/16	4
1-1/2	8-1/4	11-1/2	11-3/8	4-11/16
2	9-1/2	14-1/16	14	5-13/16
2-1/2	10-1/2	16	19-3/8	8
3	13	20	22	9-1/8
3-1/2	15	23	23-13/16	9-7/8
4	16	24-7/16	25-1/16	10-3/8

Special Radius				
Radius R	Sizes Available	90° B Dim.	45° B Dim.	45° C Dim.
12	1-1/4 thru 1-1/2	21	23-7/8	9-7/8
15	1-1/2 thru 2	24	26	10-3/4
18	1-1/4 thru 2	28	29-3/4	12-3/8
24	2 thru 3	35	35-3/4	14-13/16
30	3 thru 4	41	40	16-9/16
36	1-1/2 thru 4	47	44-1/4	18-5/16
42	3-1/2 thru 4	54	50-1/8	20-13/16
48	1-1/2, 3 thru 4	60	54-3/8	22-9/16

Material: Galvanized Steel EMT Elbows are listed cULus and meet requirements of both CSA and UL.

Note: Radius R is the minimum. Dimensions B and C are reference dimensions.
 11-1/4°, 15°, 22-1/2°, 30° and 60° Elbows are also available.

Yard Lights



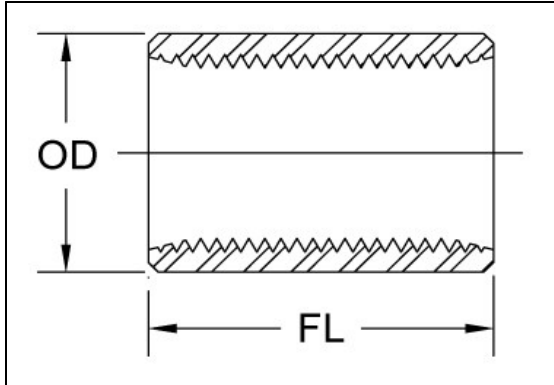
Size	Radius R	B Dim	C Dim
1/2	4	18	6-3/16
3/4	4-1/2	18	6-3/4
1	5-3/4	18	8-5/8
1-1/4	7	19-1/4	10-1/4
1-1/2	8-1/4	20-1/2	11-5/8
2	9-1/2	21-1/2	14-1/2
2-1/2	10-1/2	22-1/2	16
3	13	25	19-1/4
3-1/2	15	27	22-3/4
4	16	28	24



Material: Galvanized Steel.

Note: Radius R is the minimum. Dimensions B and C are reference dimensions.

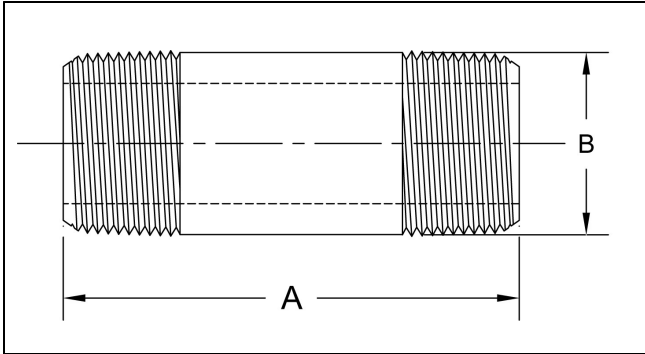
Conduit Couplings



Size	Threads per inch	OD	Minimum Length FL
1/2	14	1.010	1-5/8
3/4	14	1.250	1-41/64
1	11-1/2	1.525	1-31/32
1-1/4	11-1/2	1.869	2-1/32
1-1/2	11-1/2	2.155	2-1/16
2	11-1/2	2.650	2-1/8
2-1/2	8	3.250	3-3/16
3	8	3.870	3-5/16
3-1/2	8	4.500	3-13/32
4	8	4.875	3-33/64
5	8	6.000	3-61/64
6	8	7.100	4-1/4

Material: Galvanized Steel and Aluminum Conduit Couplings meet requirements of both CSA and UL.
 Aluminum Conduit Couplings are made from 6063 alloy with a maximum Copper content of 0.1%.

Conduit Nipples

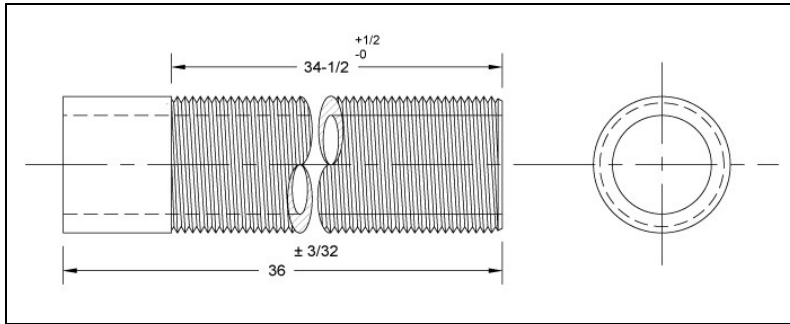


Size	Diameter B	Dim A													
		Close Length	1-1/2	2	2-1/2	3	3-1/2	4	4-1/2	5	5-1/2	6	8	10	12
1/2	.840	1-1/8	X	X	X	X	X	X	X	X	X	X	X	X	X
3/4	1.015	1-3/8	X	X	X	X	X	X	X	X	X	X	X	X	X
1	1.315	1-1/2		X	X	X	X	X	X	X	X	X	X	X	X
1-1/4	1.660	1-5/8		X	X	X	X	X	X	X	X	X	X	X	X
1-1/2	1.900	1-3/4		X	X	X	X	X	X	X	X	X	X	X	X
2	2.375	2			X	X	X	X	X	X	X	X	X	X	X
2-1/2	2.875	2-1/2				X	X	X	X	X	X	X	X	X	X
3	3.500	2-5/8				X	X	X	X	X	X	X	X	X	X
3-1/2	4.000	2-3/4						X	X	X	X	X	X	X	X
4	4.500	2-7/8						X	X	X	X	X	X	X	X
5	5.563	3							X	X	X	X	X	X	X
6	6.625	3-1/8							X	X	X	X	X	X	X

Material: Galvanized Steel and Aluminum Conduit Nipples are listed cULus and meet the requirements of both CSA and UL.
 Aluminum Conduit Nipples are made from 6063 alloy with a maximum Copper Content of 0.1%.

Notes: Lengths longer than 12" and Special threads are available upon request.
 Both ends NPT threads conform to ANSI B1.20.1.

Running Threads



Size	Threads per inch	OD
1/2	14	.823
3/4	14	1.034
1	11-1/2	1.293
1-1/4	11-1/2	1.638
1-1/2	11-1/2	1.877
2	11-1/2	2.351
2-1/2	8	2.841
3	8	3.467
3-1/2	8	3.968
4	8	4.466
5	8	5.528
6	8	6.585



Material: Galvanized Steel

Note: NPSM running thread conforms to ANSI B1.20.1.